

Brass Mini Ball Valve - Female x Female

Screwed BSPP Female x Female, Chrome Plated Brass Body, Reduced Bore, Short Handle

LV 4012 = Black

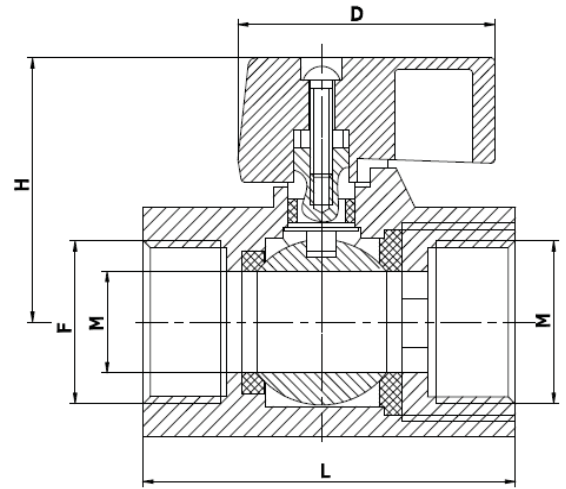
LV4014 = Red

LV4016 = Blue



Pressure / Temperature Specifications	
Pressure	PN16
Temperature	-10°C to 90°C

Dimensions						
Size	F	L	M	D	H	Kg
1/8"	8	40	1/8	28	26.8	0.1
1/4"	8	40	1/4	28	26.8	0.1
3/8"	8	40	3/8	28	26.8	0.1
1/2"	10	43.2	1/2	31.5	28	0.1



Brass Mini Ball Valve - Male x Female

Screwed BSPP Male x Female, Chrome Plated Brass Body, Reduced Bore, Short Handle

LV 4013 = Black

LV4015 = Red

LV4017 = Blue



Pressure / Temperature Specifications	
Pressure	PN16
Temperature	-10°C to 90°C

Dimensions						
Size	F	L	M	D	H	Kg
1/8"	8	40	1/8	28	26.8	0.1
1/4"	8	40	1/4	28	26.8	0.1
3/8"	8	40	3/8	28	26.8	0.1
1/2"	10	42.5	1/2	31.5	28	0.1

