

## A240 NAMUR Type 3/2 - 5/2 Convertible Solenoid Valves

Proval A240 type general purpose 3/2 way and 5/2 way solenoid valves with namur interface configuration are interchangeable for use on either double and single acting pneumatic actuators.

### General Features,

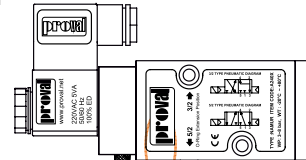
- \* Direct mounting on NAMUR interface actuators
- \* Easy convertible between 3/2 and 5/2 way(DA or SR) by replacing the o-ring position
- \* Lockable manual operator
- \* Standard IP65 enclosure single coil (spring return)



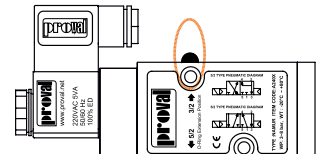
NAMUR Type Solenoid Valves

### Technical Specifications,

Item Code	A240-E	A240-B	A240-A	A240-C	A240-D
Power Supply	12 VDC	24 VDC	24 VAC	110 VAC	220 VAC
Power Consumption	3W	3W	5VA	5VA	5VA
Air Supply	G 1/4"				
Working Pressure	3 - 8 bar				
Protection Class	IP65				
Working Temperatur	-20° C ~ + 80° C				
Flow Capacity	720 Lt/min				



5/2 Way Function Solenoid Valve

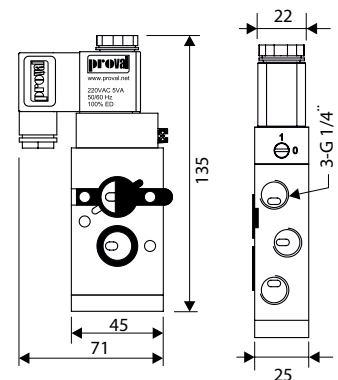
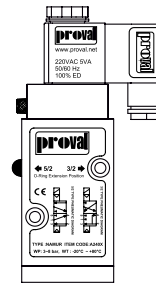


3/2 Way Function Solenoid Valve

Spare Parts for Solenoid Valves	
Model	Description
A240PB	9mm Coil, IP65
A240PBX	9mm Coil, Exproof
A240SP	Standard Socket
A240SPL	Socket with LED

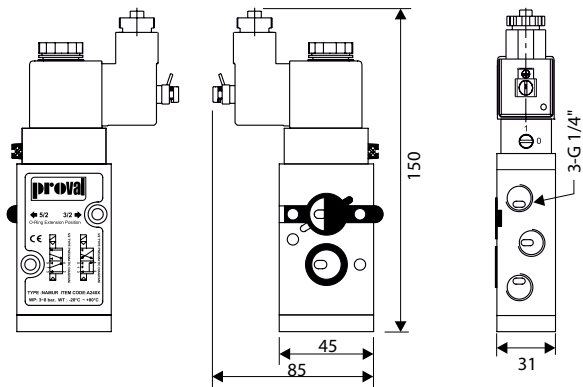


A240 SP

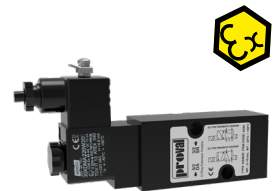


## A240X Hazardous Area NAMUR Type 3/2 - 5/2 Convertible Solenoid Valves

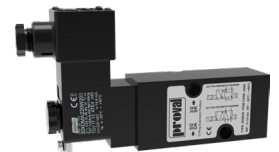
Proval A240X type 3/2 way and 5/2 way solenoid valves with namur interface configuration are interchangeable for use on either double and single acting pneumatic actuators in potentially explosive environments.



AA240PBXBM



Encapsulated Coil, Ex m II T5



A240X-BDM/CDM/DDM Flameproof Coil, Ex db mb IIC T5



A240CX-BIA with Intrinsically Safe Coil Solenoid Valve, Ex ia IIC T6



A240CX-BD/CD/DD Flameproof Coil, Ex db IIC T6

Item Code	A240CX-BIA	A240X-BM	A240X-CM	A240X-DM	A240X-BDM	A240X-CDM	A240X-DDM	A240CX-BD	A240CX-CD	A240CX-DD
Power Supply	24 VDC	24 VDC	110 VAC	220 VAC	24 VDC	110 VAC	220 VAC	24VDC	110VAC	220VAC
ATEX Certificate	Ex ia IIC T6 Ga	Ex II 2G Ex mb IIC T5 Gb Ex II 2D Ex tb IIIC T95		Ex II 2G Ex db mb IIC T4/T5 Gb Ex II 2D Ex tb IIIC T130/T95°C IP66 Db			Ex II G Ex db IIC T6 Gb			
ATEX Group	Group II	Group II		Group II			Group II			
Category	2 G/D	2 G/D		2 G/D			2 G			
Zone	Zone 1,2 / 21,22	Zone 1,2 / 21,22		Zone 1,2 / 21,22			Zone 1,2			
Explosion Group	IIC	IIC		IIC			IIC			
Heat Class	T6	T5		T5			T6			
Air Supply	G 1/4"									
Working Pressure	3 - 8 bar									
Flow Capacity	720 Lt/min									

**Notes :** For further technical details please visit our web site.