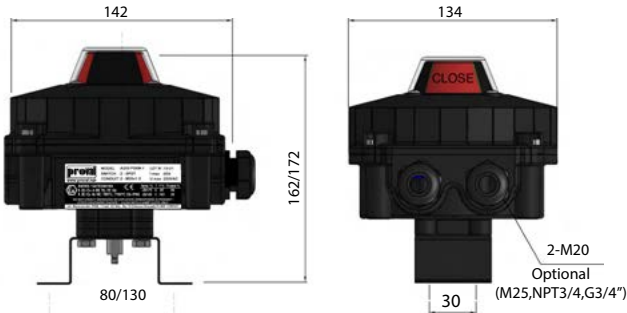


## SVA250MEX Series Explosion Proof Limit Switch Boxes

SVA250 PSX Series limit switch boxes are designed to integrate with pneumatically actuated quarter turn valve packages installed in potentially explosive environments and provide both visual and electrical indication of valve position.

### General Features,

- Powder coated, corrosion resistant die-cast alu body
- 3D continuous visual position indicator
- Easily Adjustable, spring loaded cams
- Standard IP66 enclosure
- 2 Pc mechanical switches or Inductive sensors
- Easily adjustable brackets and suitable for all NAMUR VDI/VDE interface actuators
- Terminal strip with 8 points to allow for easy wiring and direct connection of solenoid valve inside the switch box.
- Applicable also on manual valves.



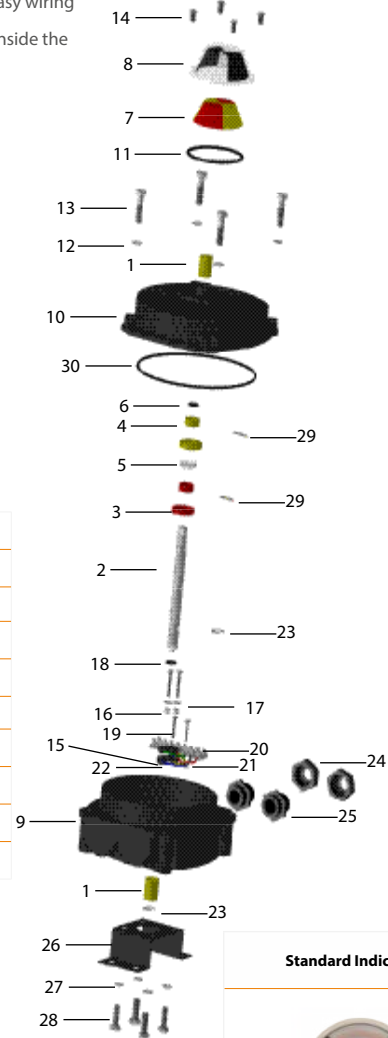
No	Part Name	Material	Qty
1	Bushing	Brass	2
2	Stem	AISI420	1
3	Cam-1	Delrin	2
4	Cam-2	Delrin	2
5	Spring	AISI301	1
6	Stem O-Ring	NBR	2
7	Indicator	ABS	1
8	Indicator Cam	Polikarbon	1
9	Body	Alu Die Cast	1
10	Cap	Alu Die Cast	1
11	Indicator Seal Ring	NBR	1
12	Thrust Washer	AISI304	4
13	Screw Cap	AISI304	4
14	Screw Indicator	AISI304	4
15	Limit Switch	Plastic	2
16	Switch Thrust Washer	AISI304	2
17	Spacer Bushing	Plastic	2
18	Screw	AISI304	2
19	Screw	AISI304	2
20	Terminal Strip	Plastic	1
21	Cable lug	Copper	16
22	Terminal Cable Set	Copper	1
23	Circlip	AISI304	2
24	Nut Cable Gland	Plastic/Metal	1
25	Cable Gland	Plastic/Metal	1
26	Bracket	Steel	1
27	Thrust Washer	AISI304	4
28	Bolt	AISI304	4
29	Pin	Steel	2
30	Body Seal Ring	NBR	1

<b>Explosion Proof Classification</b>	Ex II 2 GD
	Ex d II B T6 / T5 Gb
	Ex tb IIIC T85°C ~ 100°C Db IP66
<b>Switch Type</b>	Mechanical (Crouzet V3)
	Proximity (IFM/Pepperl+Fuchs)
<b>Conduit Entry</b>	Max 4, M15/M20 or M25
<b>Working Temp.</b>	-20°C K8 +80°C
<b>Terminal Strip</b>	8 Points
<b>Protection Class</b>	IP67
<b>Weight</b>	2 Kg

Model	Switch	Model
A250 PSXM	Crouzet	EF83161.3
A250 PSXP1	P+F	NBB2-V3-E2
A250 PSXP2	P+F	NJ2-V3-N
A250 PSXP3	P+F	SJ3,5-N
A250 PSXP4	IFM	IS5076
A250 PSXP-5	P+F	NBB3-V3-Z4

### Bracket Sizerleri

Model	Bracket Type	Mounting Dimensions
MB-1		30x80 H: 20
MB-2		30x80 - 30x130 H: 20-30 Adjustable
MB-3		30x80 - 30x130 H: 40-50 Adjustable



### Standard Indicator



### L Port Valve Indicator



### T Port Valve Indicator

