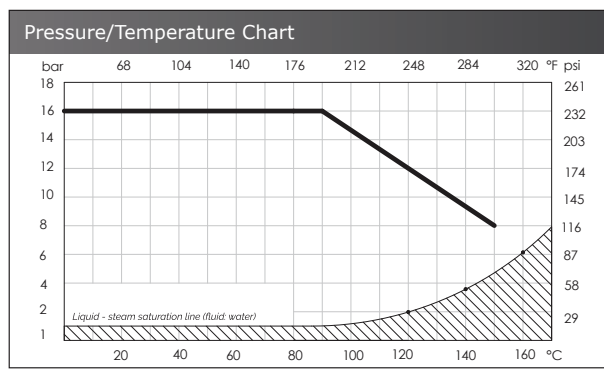


## Multi-flange Wafer Pattern Butterfly Valve - PTFE Liner

ISO 5211 for Direct Mount, Epoxy Coated Ductile Iron Body, Stainless Steel Disc, PTFE Liner, Locking Lever Operation 1½" to 6"\*, Gearbox Operation 8" to 12", Complies with 97/23/CE (PED) Directive CE 1115. \*Gearbox recommended



Pressure / Temperature Specifications	
Pressure	PN16
Temperature	-10°C to 120°C

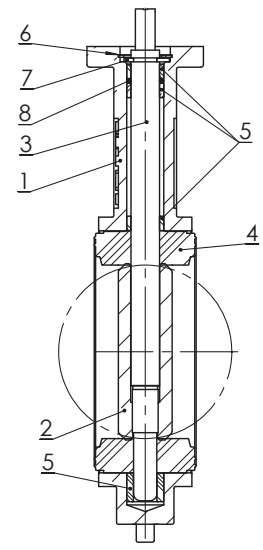
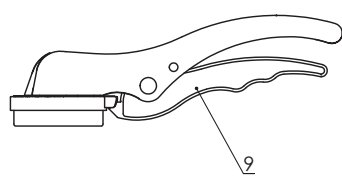


Note: Do not use when temperature and pressure are below the liquid-steam saturation line (hatched area)

Material Specifications		
1	Body	EN GJS 400-15 Ductile Iron
2	Disc	CF8M Stainless Steel
3	Stem	AISI 420 Stainless Steel
4	Liner	PTFE
5	Bushing	PTFE
6	Washer	Galvanized Carbon Steel
7	Circlip	Steel
8	O-ring	Viton
9	Lever 1½" to 6"	Aluminium
10	Bolts	Galvanized Carbon Steel

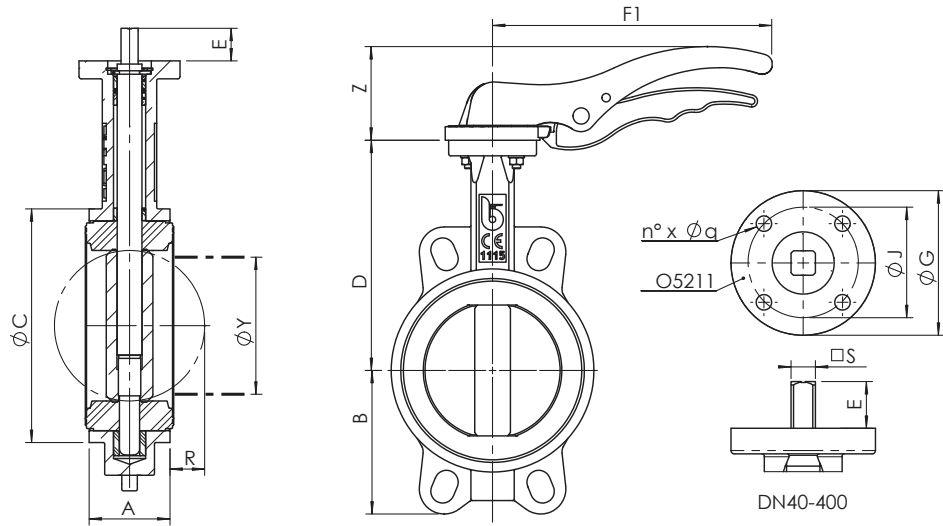
Operating Torque (Nm)				
DP (Bar)	3	6	10	16
1½"	7.8	8.4	8.8	9.2
2"	11.3	12.0	13.0	13.0
2½"	17.0	18.0	20.0	21.0
3"	23.0	25.0	26.0	28.0
4"	33.0	36.0	40.0	44.0
5"	48.0	54.0	61.0	68.0
6"	68.0	78.0	88.0	99.0
8"	120.0	134.0	148.0	162.0
10"	189.0	212.0	234.0	257.0
12"	290.0	316.0	342.0	367.0

Weights										
Size	1½"	2"	2½"	3"	4"	5"	6"	8"	10"	12"
Kg	1.8	2.1	2.4	3.2	4.3	6.3	7.8	22.3	32.8	42.0

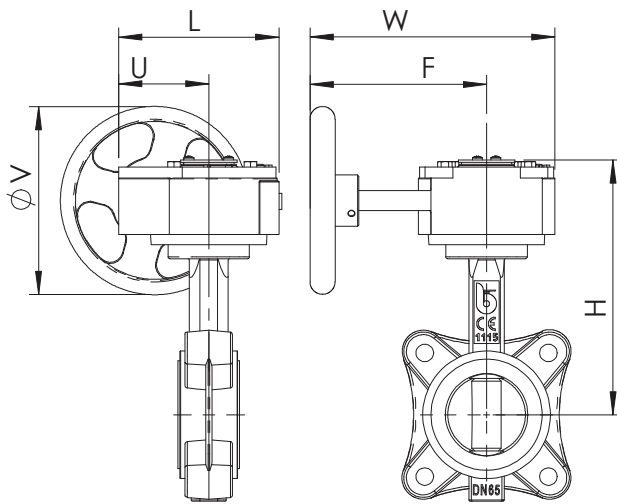


Continues on next page

### Multi-flange Wafer Pattern Butterfly Valve - PTFE Liner



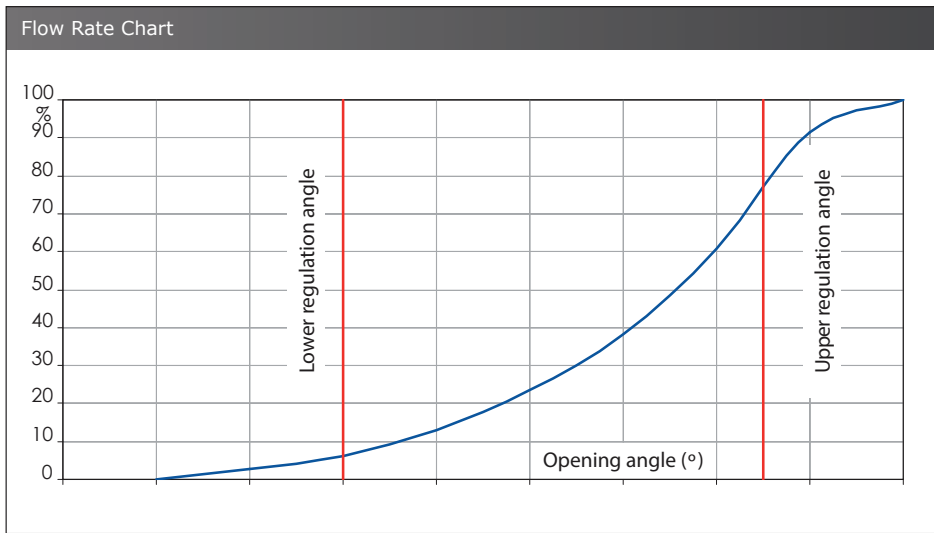
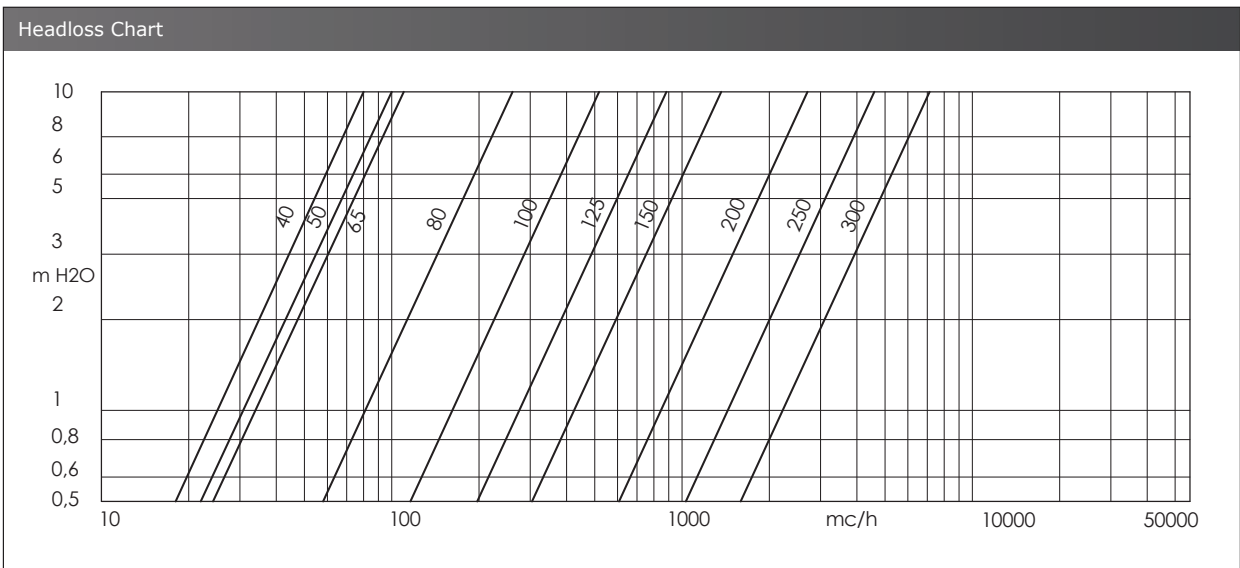
Dimensions														
Size	A	ØC	D	B	F1	Z	R	ØY	ISO	G	J	n x q	S	E
1½"	33	82	116	63	170	50	5	27	F05	65	50	4 X 7	9	21
2"	43	89	126	62	170	50	5	31	F05	65	50	4 X 7	9	21
2½"	46	102	136	69	170	50	9	45	F05	65	50	4 X 7	9	21
3"	46	118	150	90	206	69	17	65	F05	65	50	4 X 7	11	21
4"	52	150	170	106	206	69	26	90	F05	65	50	4 X 7	11	21
5"	56	174	180	119	285	90	34	110	F07	90	70	4 X 9	14	27
6"	56	205	200	131	285	90	50	146	F07	90	70	4 X 9	14	27
8"	60	260	230	166	-	-	71	194	F10	125	102	4 X 11	17	27
10"	68	318	266	202	-	-	91	241	F12	150	125	4 X 13	27	27
12"	78	376	292	235	-	-	112	291	F12	150	125	4 X 13	27	27



Dimensions						
Size	L	U	H	W	F	V
6"	130	77	262	225	170	150
8"	180	104	308	338	260	300
10"	205	124	346	345	260	300
12"	205	124	372	345	260	300

Continues on next page

# Multi-flange Wafer Pattern Butterfly Valve - PTFE Liner



KV Rates									
Opening (°)>	10	20	30	40	50	60	70	80	90
1½"	0.04	2.1	4.8	10	19	30	48	73	79
2"	0.05	2.6	6	13	23	38	60	91	99
2½"	0.09	3.8	14	33	53	75	98	108	108
3"	0.17	7.8	16	34	60	100	158	237	261
4"	0.26	15	31	67	120	199	314	471	518
5"	0.43	25	53	115	205	339	535	803	883
6"	0.69	39	82	177	316	522	827	1,241	1,364
8"	2.6	52	142	250	450	713	1,122	1,723	2,716
10"	2.6	130	276	599	1,068	1,768	2,798	4,196	4,611
12"	3.5	202	427	926	1,650	2,730	4,322	6,483	7,124