

# Ductile Iron Ball Valve - Flanged PN16 - Direct Mount

ISO 5211 for Direct Mount, Flanged PN16, Ductile Iron Body, Brass Ball & Stem, RPTFE Seats, Viton O-rings, Steel Lever Operated, DIN 3202 F4 Face to Face 1/2" to 6", F5 8"

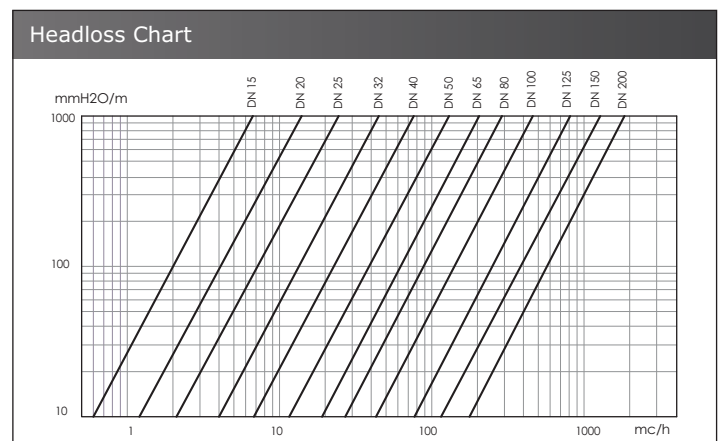
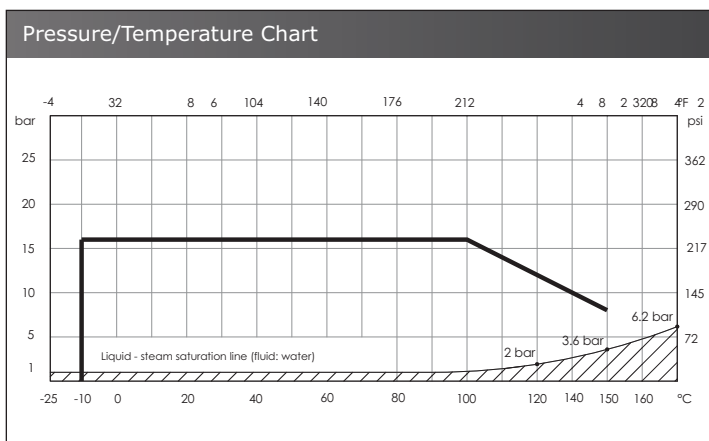
Material Specifications	
1. Body	EN GJS 400-15 Epoxy Coated Ductile Iron
2. Flange	EN GJS 400-15 Epoxy Coated Ductile Iron
3. Ball	CuZn40Pb2 Chrome Plated Brass
4. Ball Seat	Reinforced PTFE
5. Stem	CuZn40Pb2 Brass
6. Sliding Washer	PTFE
7. Ring	CuZn40Pb2 Brass
8. O-ring	Viton
9. Lever	Epoxy Coated Carbon Steel
10. Stop Plate	Galvanized Carbon Steel
11. Spring Washer	Galvanized Carbon Steel

Pressure / Temperature Specifications	
Pressure	PN16
Temperature	-10°C to 150°C



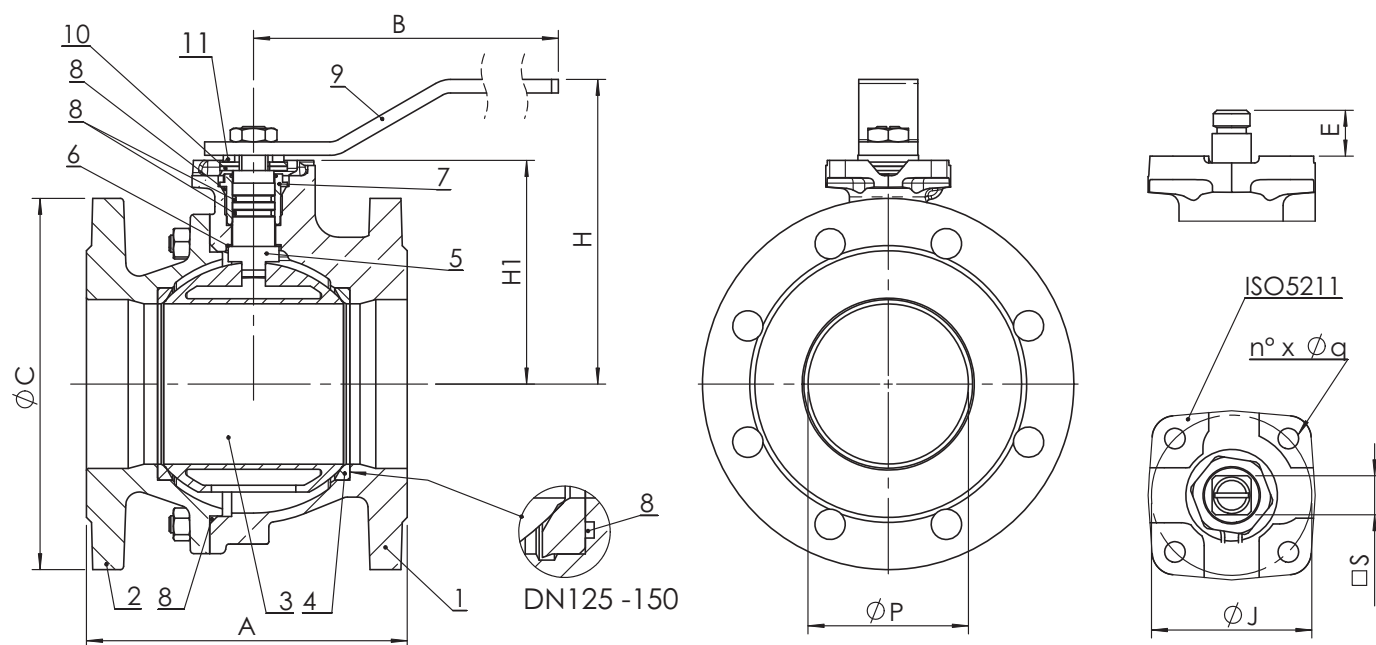
Dimensions													
DN	1/2"	3/4"	1"	1 1/4"	1 1/2"	2"	2 1/2"	3"	4"	5"	6"	8"	
<b>P</b>	15	20	25	32	40	50	63	76	95	120	145	190	
<b>A</b>	115	120	125	130	140	150	170	180	190	200	210	400	
<b>H</b>	84	84	96	101	125	135	143	165	180	225	243	320	
<b>H1</b>	50.5	52	59	64	78.5	87	95	118	132.5	165	182.5	230	
<b>B</b>	160	160	170	170	230	230	230	280	360	450	560	1000	
<b>C</b>	95	105	115	140	150	165	185	200	220	250	285	340	
<b>ISO</b>	F04	F04	F04	F04	F05	F05	F05	F07	F07	F10	F10	F12	
<b>J</b>	42	42	42	42	50	50	50	70	70	102	102	125	
<b>n°xØq</b>	4x6	4x6	4x6	4x6	4x7	4x7	4x7	4x9	4x9	4x11	4x11	4x13	
<b>E</b>	11.5	11.5	14.5	14.5	17.5	17.5	17.5	20	20	24.5	24.5	27	
<b>S</b>	9	9	11	11	14	14	14	17	17	22	22	27	
<b>Nm*</b>	15	15	18	18	18	20	40	70	100	180	250	600	
<b>Kv</b>	22.3	47.7	83.5	150.4	255.0	435.0	672.0	947.0	1508.0	2633.0	4261.0	5957.0	
<b>Kg</b>	2.6	3.3	4.2	5.8	7.5	9.0	10.5	15.5	18.5	28.0	38.5	93.0	

\*In order to choose the correct actuator, we recommend multiplying the Nm figure by a safety factor of 1.5



# Ductile Iron Ball Valve - Flanged PN16 - Direct Mount

1/2" to 6" Dimensional Drawing



8" Dimensional Drawing

