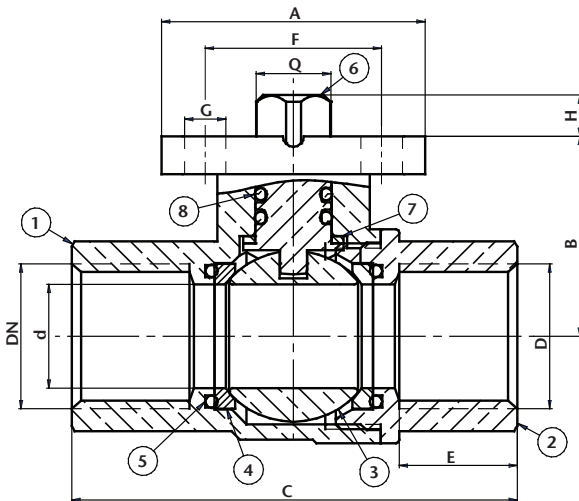
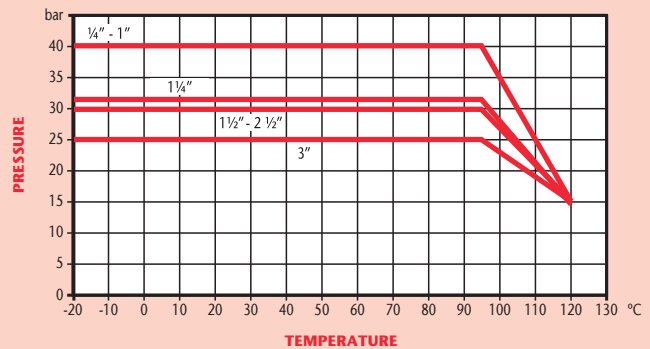


PN40 Brass Ball Valve

Features

- Screwed BSP Parallel (ISO 228/1)
- PTFE Seats & Seals
- ISO 5211 Direct Mount
- Low Torque

Pressure / Temperature



Technical Data

Max Pressure	1/4"-1"	40 Bar
	1 1/4"	32 Bar
	1 1/2"-2 1/2"	30 Bar
	3"	25 Bar
Working Temperature	-20°C to +120°C	

DN	1/4"	3/8"	1/2"	3/4"	1"	1 1/4"	1 1/2"	2"	2 1/2"	3"
d	11.5	15	15	20	25	32	38	45	62	76
A	38	38	38	38	50	50	50	50	70	70
B	29	29	29	32	36	41	57	64	90	100
C	64	64	64	76	88	96	103	121	165	188
G	6	6	6	6	7	7	7	7	8.5	8.5
E	17	17	17	19	21	22	22	25	34	37
F	36	36	36	36	50	50	50	50	70	70
Drilling	F03	F03	F03	F03	F05	F05	F05	F05	F07	F07
Q	9	9	9	9	9	9	11	11	14	14
H	10	10	10	10	10	10	12	12	16	16
Torque	3	3	3	4	5	10	15	15	20	20
Kgs	0.335	0.315	0.280	0.410	0.705	0.950	1.160	2.055	3.850	5.515

Torque calculated at zero pressure includes 25% safety, add 25% for dry duty.

N.	Part Name	Materials
1	Body	Brass/Nickel Plated
2	Body End	Brass/Nickel Plated
3	Ball	Brass/Chrome Plated
4	Seat	PTFE
5	'O' Ring	PTFE
6	Stem	Brass/Nickel Plated
7	Washer	PTFE
8	'O' Ring	Viton

Dimensions in mm

This data sheet is designed as a guide and should not be regarded as wholly accurate in every detail. We reserve the right to amend the specification of any product without notice.