

- > **Port size: 3/8" ... 3/4" (ISO G/PTF)**
- > **Excelon® Plus design allows in-line installation or modular installation with other Excelon® Plus products**
- > **5 or 40 micron particle and high efficiency water removal (> 98%)**
- > **Double safety lock bowl**
- > **Metal bowl with prismatic liquid level indicator lens**
- > **Light weight polycarbonate bowl**
- > **Air purity classes in accordance to ISO8573-1: particles class 6 & 7 and liquid water class 8**



Technical features

Medium:

Compressed air only

Maximum supply pressure:

Polycarbonate bowl: 10 bar (145 psi)

Metal bowl: 20 bar (290 psi)

Filter element:

5 µm & 40 µm

Port size:

G3/8, G1/2, G3/4,

3/8 PTF, 1/2 PTF, 3/4 PTF

Flow:

78 dm³/s

at port size: 1/2",

inlet pressure 10 bar (145 psi),

6,3 bar (91 psi) set pressure and a

Δp: 0,5 bar (7,25 psi) drop from set.

Filter element: 40 µm

Drain:

Manual or automatic

Automatic drain operating conditions (float operated):

Bowl pressure required to close

drain: > 0,35 bar (5 psi)

Bowl pressure required to open

drain: ≤ 0,2 bar (2,9 psi)

Minimum air flow required to close

drain: 1 dm³/s (2 scfm)

Ambient/Media temperature:

Polycarbonate bowl:

-10 ... +60°C (14 ... +140°F)

Metal bowl:

-20 ... +65°C (-4 ... +149°F)

Air supply must be dry enough

to avoid ice formation at

temperatures below +2°C (+35°F).

Materials:

Body: Die cast aluminium

Body covers: ABS

Bowl: Transparent PC with PP

guard or die cast aluminium

Liquid level indicator lens



(metal bowl): PA

Filter element: sintered PP

Bowl 'o'- ring: Chloroprene

Elastomers: NBR

Technical data F84G - standard models

Symbol	Port size	Drain	Filter element (µm)	Bowl	Weight (kg)	Model
	G3/8	Auto	40	Guarded polycarbonate	0,38	F84G-3GN-AP3
	G1/2	Auto	40	Guarded polycarbonate	0,38	F84G-4GN-AP3
	G3/4	Auto	40	Guarded polycarbonate	0,38	F84G-6GN-AP3
	G3/8	Auto	40	Metal with level indicator	0,52	F84G-3GN-AD3
	G1/2	Auto	40	Metal with level indicator	0,52	F84G-4GN-AD3
	G3/4	Auto	40	Metal with level indicator	0,52	F84G-6GN-AD3
	G3/8	Manual	40	Guarded polycarbonate	0,38	F84G-3GN-QP3
	G1/2	Manual	40	Guarded polycarbonate	0,38	F84G-4GN-QP3
	G3/4	Manual	40	Guarded polycarbonate	0,38	F84G-6GN-QP3
	G3/8	Manual	40	Metal with level indicator	0,52	F84G-3GN-QD3
	G1/2	Manual	40	Metal with level indicator	0,52	F84G-4GN-QD3
	G3/4	Manual	40	Metal with level indicator	0,52	F84G-6GN-QD3

Option selector

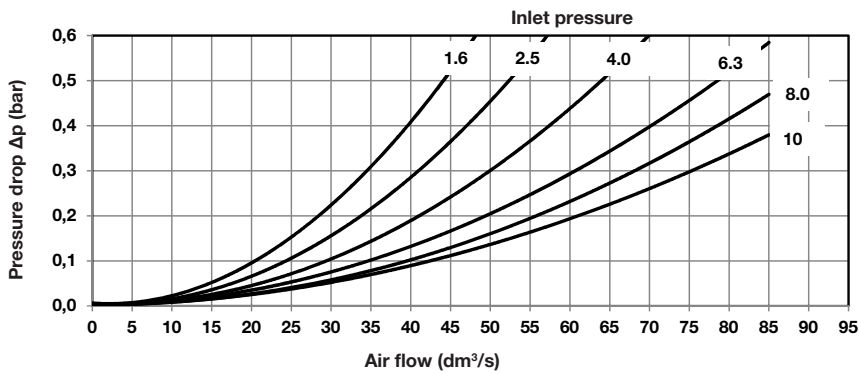
F84G-*N-*****

Port size	Substitute
3/8"	3
1/2"	4
3/4"	6
Thread form	Substitute
PTF	A
ISO G parallel (standard)	G
Drain	Substitute
Manual (standard)	Q
Auto drain (standard)	A

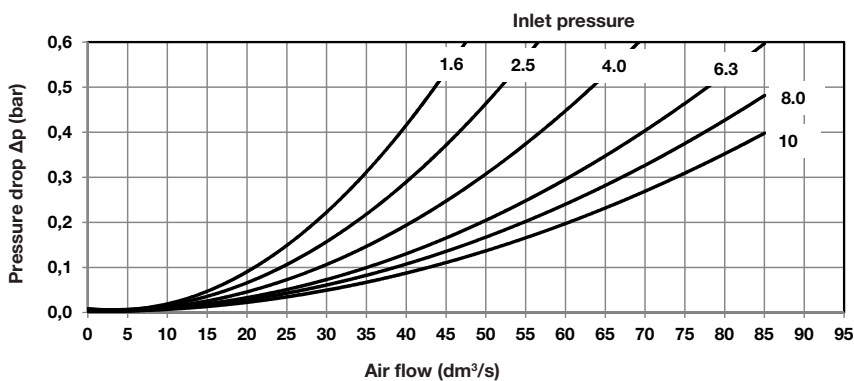
Element	Substitute
5 µm	1
40 µm (standard)	3
Bowl	Substitute
Transparent with guard (standard)	P
Metal with liquid indicator (optional)	D

Flow characteristics

Element 40 µm
Port size: 1/2"



Element 5 µm
Port size: 1/2"

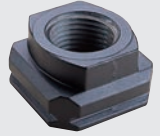
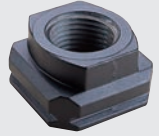
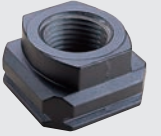
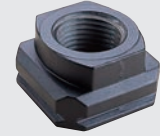
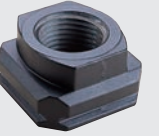
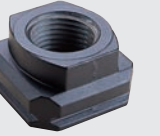


Accessories

Wall mounting bracket  Page 6 840024-50KIT	Quikclamp®  Page 6 840014-51KIT	Quikclamp® with bracket assembled  Page 6 840014-52KIT	Pressure sensing block 1/4 PTF  Page 6 840016-50Kit	Pressure sensing block G1/4  Page 6 840016-51KIT
--	---	--	---	--

Full flow porting block 3/4 PTF  Page 6 840028-50KIT	Full flow porting block G3/4  Page 6 840028-53KIT	Pressure switch interface block (18D pressure switch)  Page 7 0337717000000000	Pneumatic pressure switch 18D (0,5 ... 8 bar) *1)  Page 7 0881300	Digital pressure switch 51D (-1 ... 10 bar) *2)  Page 7 0860810
--	---	--	---	---

*1) Flanged version. For other pressure ranges, please see data sheet 5.11.001
 *2) For other pressure ranges, please see data sheet 5.11.385

Port Adaptors 3/8 PTF  Page 7 840015-02KIT	Port Adaptors 1/2 PTF  Page 7 840015-03KIT	Port Adaptors 3/4 PTF  Page 7 840015-04KIT	Port Adaptors G3/8  Page 7 840015-10KIT	Port Adaptors G1/2  Page 7 840015-11KIT	Port Adaptors G3/4  Page 7 840015-12KIT
--	--	--	--	---	---

Maintenance/Service

Filter cartridge
5 micron



840038-50KIT

Filter cartridge
40 micron



840038-51KIT

Auto drain kit with
metal Nut - Imperial



6000-61KIT

Auto drain kit with
metal Nut - Metric



6000-60KIT

Spare parts

Filter Bowl
(Guarded Poly bowl with
auto drain 6 mm PIF)



840025-51KIT

Filter Bowl
(Guarded Poly bowl with manual
drain)



840025-50KIT

Filter Bowl
(Metal with S/Glass & auto drain,
6 mm PIF)



840003-51KIT

Filter Bowl
(Metal with S/Glass &
manual drain)



840003-50KIT

Filter Bowl
(Guarded Poly bowl with
auto drain, 1/4 PIF)



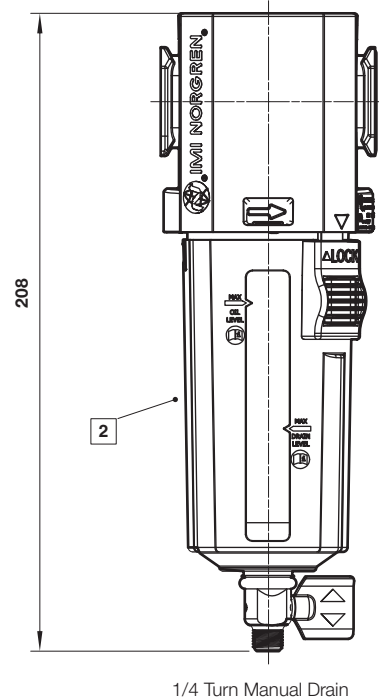
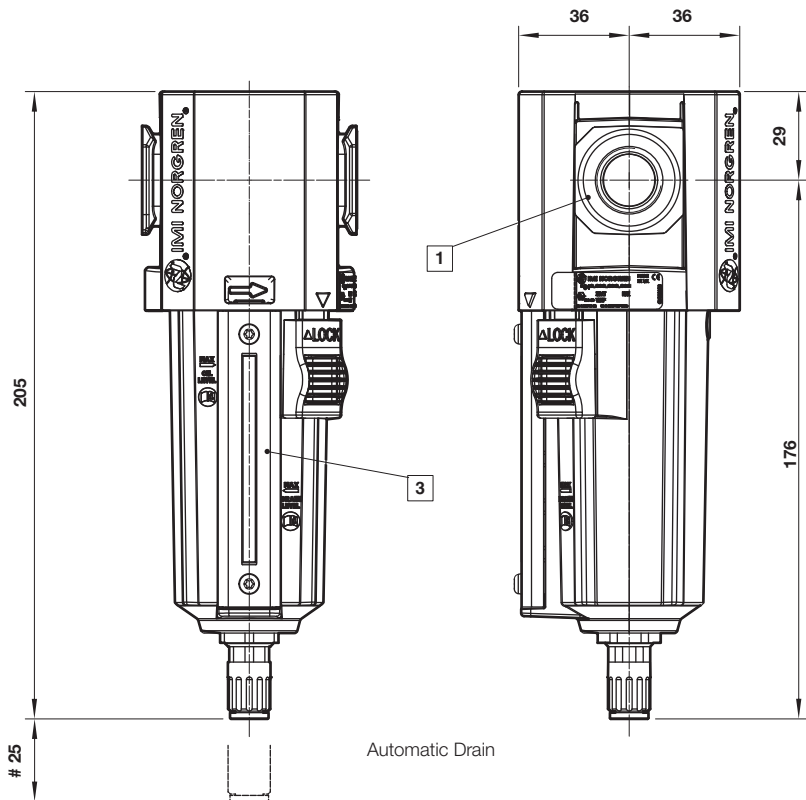
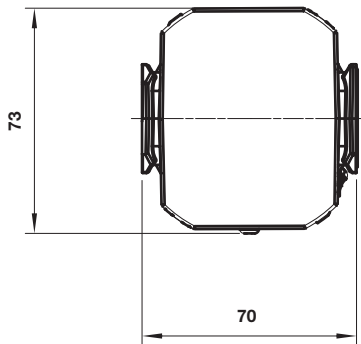
840025-53KIT

Filter Bowl
(Metal with S/Glass &
auto drain, 1/4 PIF)



840003-56KIT

Dimensions

 Dimensions in mm
 Projection/Third angle


Minimum clearance for bowl removal

 1 Main ports 3/8", 1/2" or 3/4"
 (ISO G/PTF)

2 Transparent bowl with guard

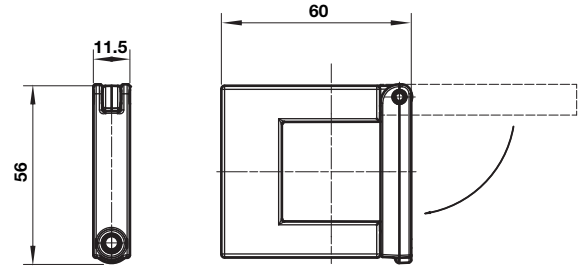
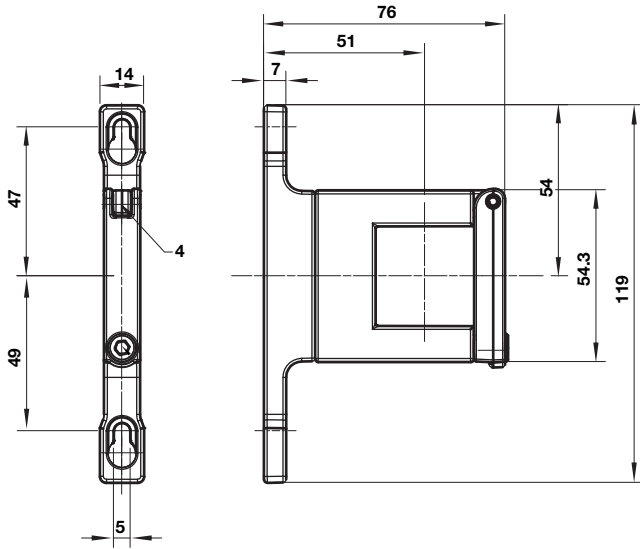
 3 Metal bowl with liquid level indicator
 lens

Accessories

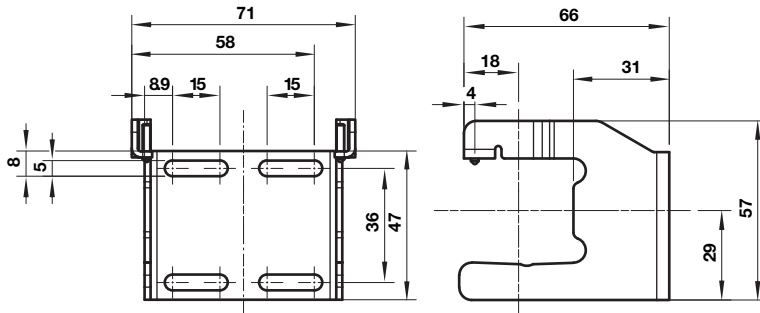
Dimensions in mm
Projection/Third angle

Quikclamp® with wall bracket

Quikclamp®

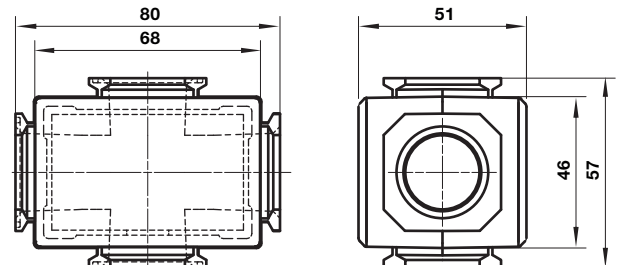
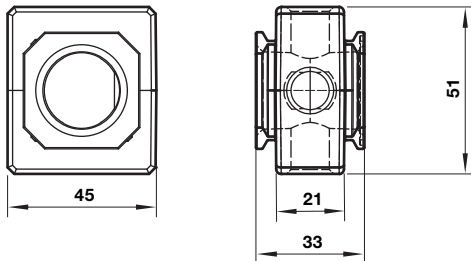


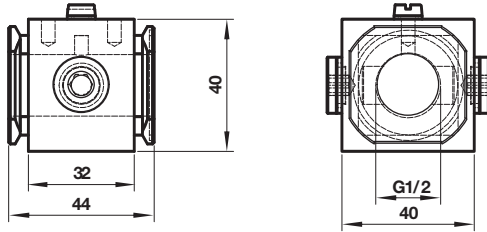
Mounting bracket

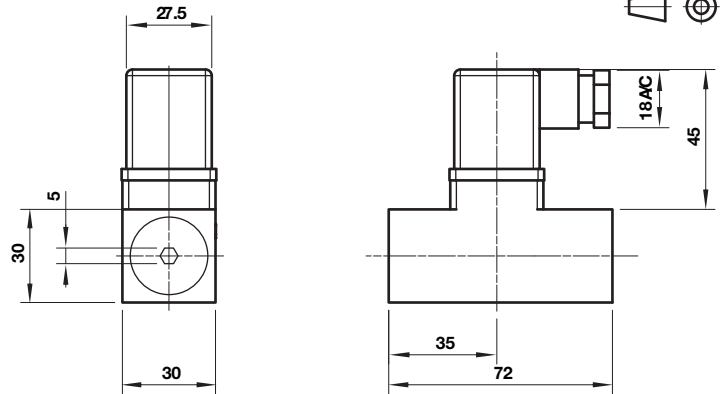
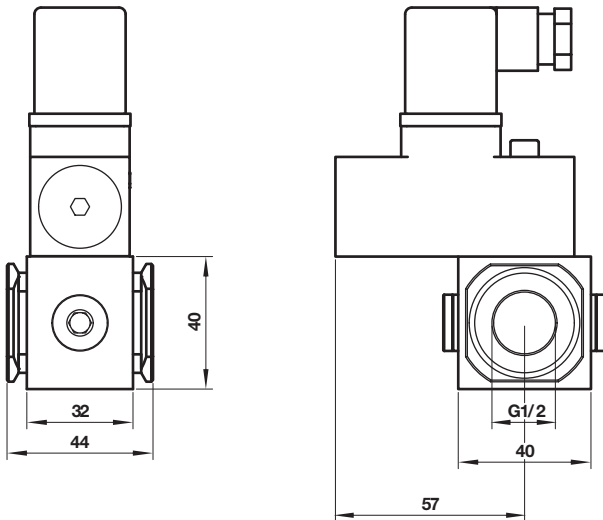
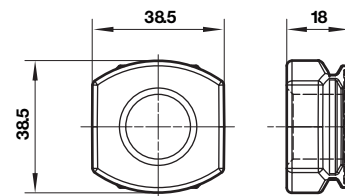
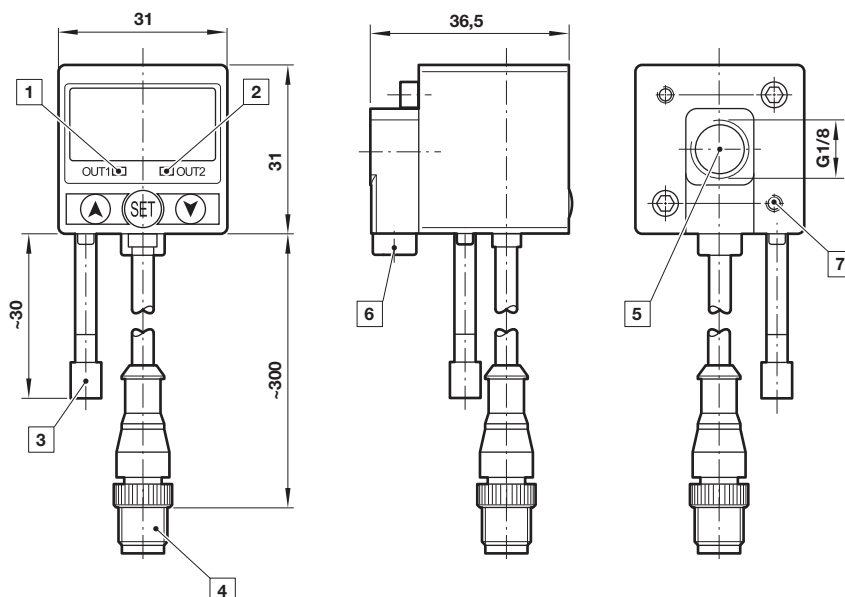


Pressure sensing block

Full flow porting block



Porting block for 18D pressure switch

18D Pressure switch

 Dimensions in mm
 Projection/Third angle

18D Porting block and 18D assembled

Pipe adaptor

51D Pressure switch - digital


- 1 Switch OUT 1, green LED
- 2 Switch OUT 2, red LED
- 3 Dustproof protector
- 4 Connector M12 x 1
- 5 Inlet port
- 6 Alternative inlet port G1/8 plugged
- 7 Thread for mounting screw

Warning

These products are intended for use in industrial compressed air systems only. Do not use these products where pressures and temperatures can exceed those listed under »**Technical features/data**«.

Before using these products with fluids other than those specified, for non-industrial applications, life-support systems or other applications not within published specifications, consult IMI Precision Engineering, Norgren Ltd.

Through misuse, age, or malfunction, components used in fluid power systems can fail in various modes. The system designer is warned to consider the failure modes of all component parts used in fluid power systems and to provide adequate safeguards to prevent personal injury or damage to equipment in the event of such failure.

System designers must provide a warning to end users in the system instructional manual if protection against a failure mode cannot be adequately provided.

System designers and end users are cautioned to review specific warnings found in instruction sheets packed and shipped with these products.